



1000 Watts / Light Duty

Outperforms the competition in its market segment with stainless steel interior and door plus heavy-duty grab handle. The R-21JV integrates quality design and impressive lineup of features for low-to-mid-volume operations. Ideal for vending locations!

be informed

- **Stainless Steel Interior and Door:** Sharp's commitment to set the highest standards in the industry is evidenced by durable stainless steel interiors throughout the entire line, including the long-wearing R-21JV. Also equipped with a heavy-duty grab handle on the stainless door.
- **Computerized Touch Control:** Operation is reliable and always easy with 10 microprocessor-controlled programmable Memory pads. The pads provide one-second increment timing and adjust from 0 to 30 minutes to allow maximum flexibility. Built-in safeguards prevent unauthorized changes.
- **Preprogrammed Memory Pads:** Are easy to change and customize to meet operator's exact needs.
- **Express Defrost™:** This timesaving feature makes last-minute defrosting quick and easy. Automatically divides total defrosting time into 3 stages using 3 power levels.
- **Double Quantity Pad:** Automatically provides optimum heating times for double portions. There's no guesswork or complicated referencing—the oven does the work!
- **Digital Display:** Exceptional accuracy and easily read.
- **Memory Check:** Manager or operator can confirm time setting for each Memory pad.
- **Counter Check:** Keeps tabs on how often each feature is used.
- **Memory Lock:** If the power goes off, oven never needs to be reprogrammed. Electrically Alterable Read Only Memory (EAROM) prevents stored information from being erased during power interruptions or off times.
- **Volume Control:** Offers a choice of 2 tones and no tone; signals the end of cycle.
- **Well-chosen Details:** Interior oven light and see-through door promote maximum visibility. Rubber-sealed ceramic shelf is designed for ease of cleaning.
- **Cool Gray Cabinet with Stainless Door:** A professional favorite with handsome styling and easy-to-care-for convenience.
- **Menu Labels:** Handy peel-off labels for Memory pads.



Built to meet rugged commercial standards.
Complies with DHHS & FCC.

specifications

R-21JV Commercial Microwave Oven

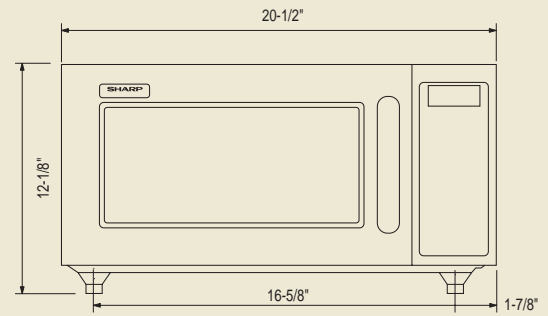
AC LINE VOLTAGE	Single phase, 120V, 60 Hz, AC only
RECEPTACLE REQUIRED	15 Amp., NEMA 5-15R
AC POWER REQUIRED	1.6 kW, 14.0 A
OUTPUT POWER	1000 Watts (IEC-705 Test Procedure)
FREQUENCY	2450 MHz
OUTSIDE DIMENSIONS (WHD)	20 1/2" x 12 1/8" x 16"
CAVITY DIMENSIONS (WHD)	13 7/8" x 8 1/8" x 14 5/8"
CAVITY	Stainless steel
CABINET	Cool gray with stainless door
SAFETY SWITCHES	Double safety switches include concealed interlock plus interlock monitor circuit
SAFETY STANDARDS	Commercial UL, FCC, DHHS and NSF-4
NET WEIGHT	Approx. 37 lbs.
SHIPPING WEIGHT	Approx. 44 lbs.

To Specify a Sharp R-21JV Commercial Microwave Oven

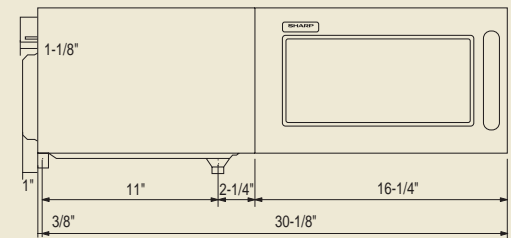
Oven shall comply with standards set by the U.S. Department of Health and Human Services, FCC, NSF-4 and UL and shall display such labels. Oven shall be equipped with 10 programmable microprocessor-controlled Memory pads, each adjustable in one-second increments from 0 to 30 minutes, without tools. There shall be choice of 2 tones or no tone. Oven shall have Electrically Alterable Read Only Memory (EAROM) to prevent programmed information from being erased due to power interruptions. Output wattage shall be 1000 watts. Bottom feed distribution system shall provide uniform heating pattern. Digital display must show heating time and percentage of power. Oven cavity shall be of stainless steel construction with see-through stainless oven door. Cavity shall be illuminated. Bottom of cavity shall consist of rubber-sealed ceramic shelf. Oven shall be provided with a UL approved power cord and plug. Oven shall have three-year limited warranty on the magnetron tube; one-year parts and labor with service provided in the end-user's place of business.

Warranty

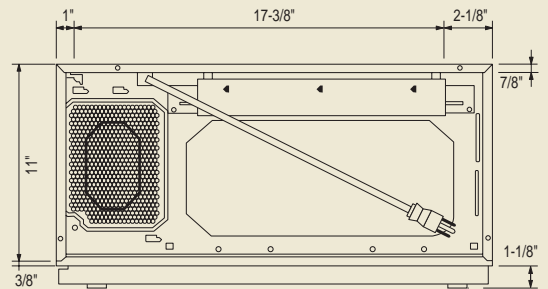
Sharp commercial Microwave Ovens have a reputation for unsurpassed quality in the foodservice industry. Sharp Commercial Microwave Ovens are backed by a three year limited warranty on the magnetron tube. One-year warranty on parts and labor with service is provided in the end-user's place of business for R-21JV. See Operation Manual for complete details.



FRONT VIEW



SIDE VIEW WITH DOOR OPEN



REAR VIEW

Specifications subject to change without notice.

Distributed By:

Sharp Electronics Corporation
Corporation Headquarters and Executive Offices
Sharp Plaza • Mahwah • NJ 07430-2135
201.529.8706 • www.sharppusa.com

SHARP | be sharp™