

robot coupe®

"The Inventor & World Leader in Food Processors"

R401

Commercial Food Processor

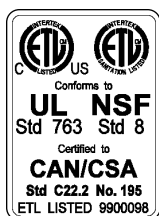
All Metal, Dual-Purpose Unit with Mixer-Cutter
Bowl Combined with Continuous Feed
Vegetable Prep Attachment



Prepare up to 800
servings in 2.5 hours or
less.

Bowl attachment designed for vertical cutting and mixing: mix, chop and blend. Vegetable prep attachment designed for slicing, shredding, grating and julienne on continuous basis. Accommodates 21 different stainless steel processing discs.

- **4 qt. "stock-pot" shaped stainless steel mixer bowl with patented stainless steel cutter blade and "See-thru" lid.**
- **Stainless steel vegetable preparation attachment with lid made from ABS polycarbonate equipped with 2 deep feed openings.**
- **Metal motor base.**
- **Magnetic safety switch with "on-off" push buttons and pulse switch.**
- **Instant motor brake.**
- **Attachments easily removed for cleaning.**
- **Attractive, compact design uses minimum counter space.**
- **Packed with two cutting discs (27577 & 27566) as standard.**
- **1 year parts and labor**



Robot Coupe U.S.A., Inc.

P.O. Box 16625

Jackson, MS 39236-6625

1-800-824-1646 • (601) 898-8411

FAX: (601) 898-9134

www.robotcoupeusa.com •

e-mail: info@robotcoupeusa.com

SPECIFICATIONS ON REVERSE SIDE

Specifications

STANDARD MODEL: Includes motor base unit, 4 qt. stainless steel bowl with stainless steel "S" blade. All metal continuous feed attachment with discharge plate and one medium 5/64" (2mm) grating disc 27577 and one 5/32" (4mm) slicing disc 27566.

ELECTRICAL: 120V, 60 Hz, 9 Amps. Single phase direct drive.

MOTOR: 1.5 H.P. capacitor-type, fan-cooled, single phase, single speed 1725 R.P.M.

SWITCHING: Safety type—will not operate with bowl or cover off. Advanced control panel with pulse switch plus "on-off" magnetic interlock switches.

BOWL CAPACITY: 4 Quarts.

WEIGHT: 40 lbs. net, 42 lbs. approximate shipping weight.

OPTIONAL EQUIPMENT: 19 additional processing discs. Free-standing disc rack holds 9 processing discs. Citrus juicer attachment, R3091.

STANDARDS: ETL electrical & sanitation, cETL (Canada)

Slicing Discs

- 27051 - 1/32" (1mm)
- 27555 - 5/64" (2mm)
- 27086 - 1/8" (3mm)
- 27566 - 5/32" (4mm)
- 27087 - 3/16" (5mm)
- 27786 - 1/4" (6mm)

Ripple Cut Slicers

- 27621 - 5/64" (2mm)

Graters

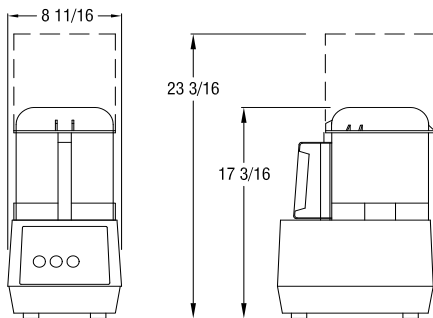
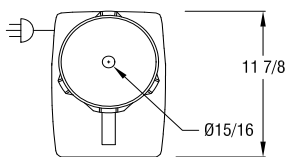
- 27588 - 1/16" (1.5mm)
- 27577 - 5/64" (2mm)
- 27511 - 1/8" (3mm)
- 27046 - 1/4" (6mm)
- 27632 - 11/32" (9mm)
- 27078 - Hard Cheese Grate

Pulping

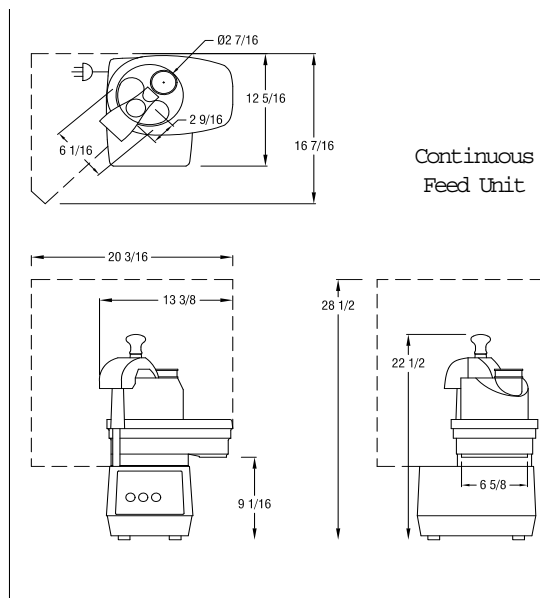
- 27079 - Fine pulping disc
- 27764 - Pulping disc

Julienne

- 27599 - 5/64" (2x2mm)
- 27080 - 5/64" x 5/32" (2x4mm)
- 27081 - 5/64"x1/4" (2x6mm)
- 27047 - 5/32" (4x4mm)
- 27610 - 1/4" (6x6mm)
- 27048 - 5/16" (8x8mm)



Bowl Unit



Continuous Feed Unit

Robot Coupe U.S.A., Inc.

P.O. Box 16625
 Jackson, MS 39236-6625
 1-800-824-1646
 (601) 898-8411
 FAX: (601) 898-9134
 www.robotcoupeusa.com
 e-mail: info@robotcoupeusa.com

Distributed by: