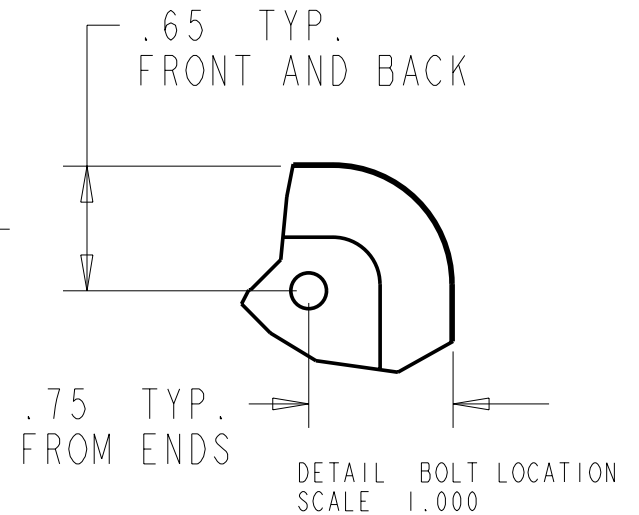
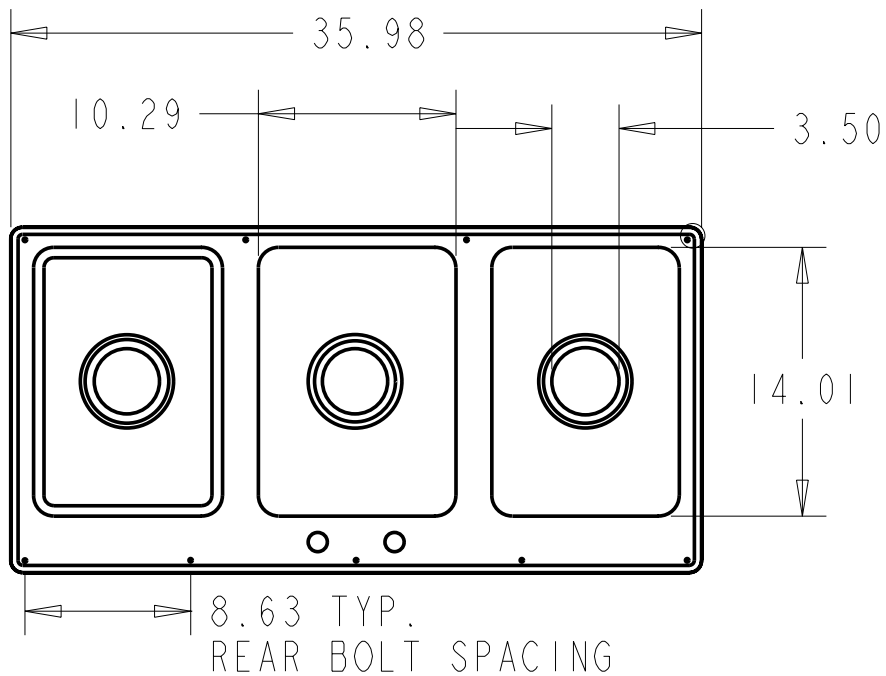
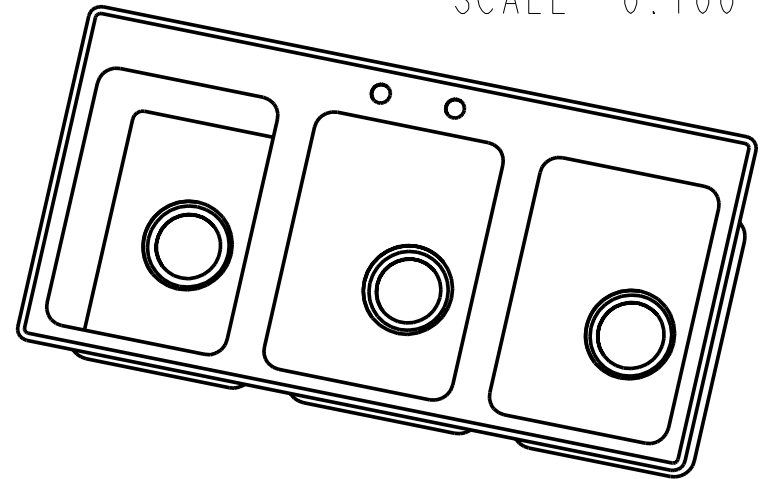
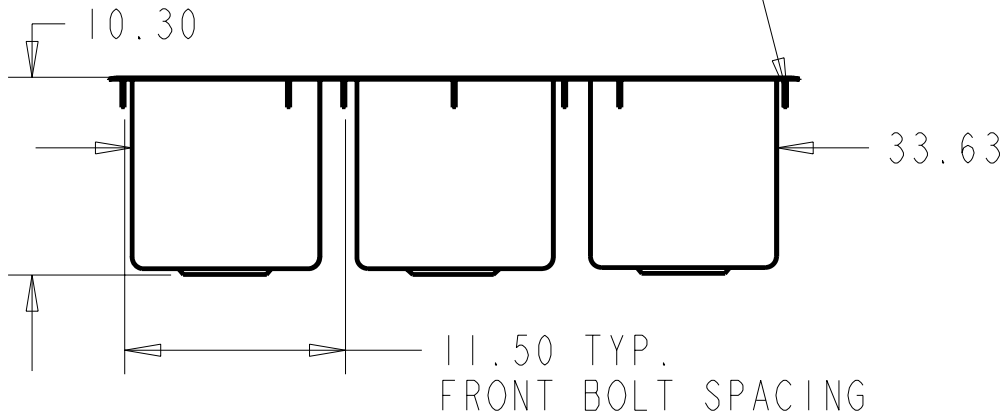


SCALE 0.100

#10-24 X 1-1/2 TYP.
4 FRONT 5 BACK



SCALE 0.100

HAND * WARE- * PLUMBING & * COMMERCIAL * COMPONENTS &
SINKS * WASHING * DRAINAGE * EQUIPMENT * SUPPLIES

MODEL #:BK-DIS-1014-3

DESCRIPTION:

MATERIAL:

DATE:

DRAFTER:

SCALE: 6"=1"-0"

APPROVED BY:

REVISIONS

DATE

BK Resources

1609 WEST WERNSTING AVE., SUITE D
EFFINGHAM, IL 62401
(888)310-4393 / FAX (888)310-4394
EMAIL: sales@bk-resources.com

VISIT OUR WEBSITE
www.bk-resources.com

Dimensions subject to change without prior notification. This illustration is the exclusive property of BK Resources. It may not be distributed in any manner without the express consent of BK Resources